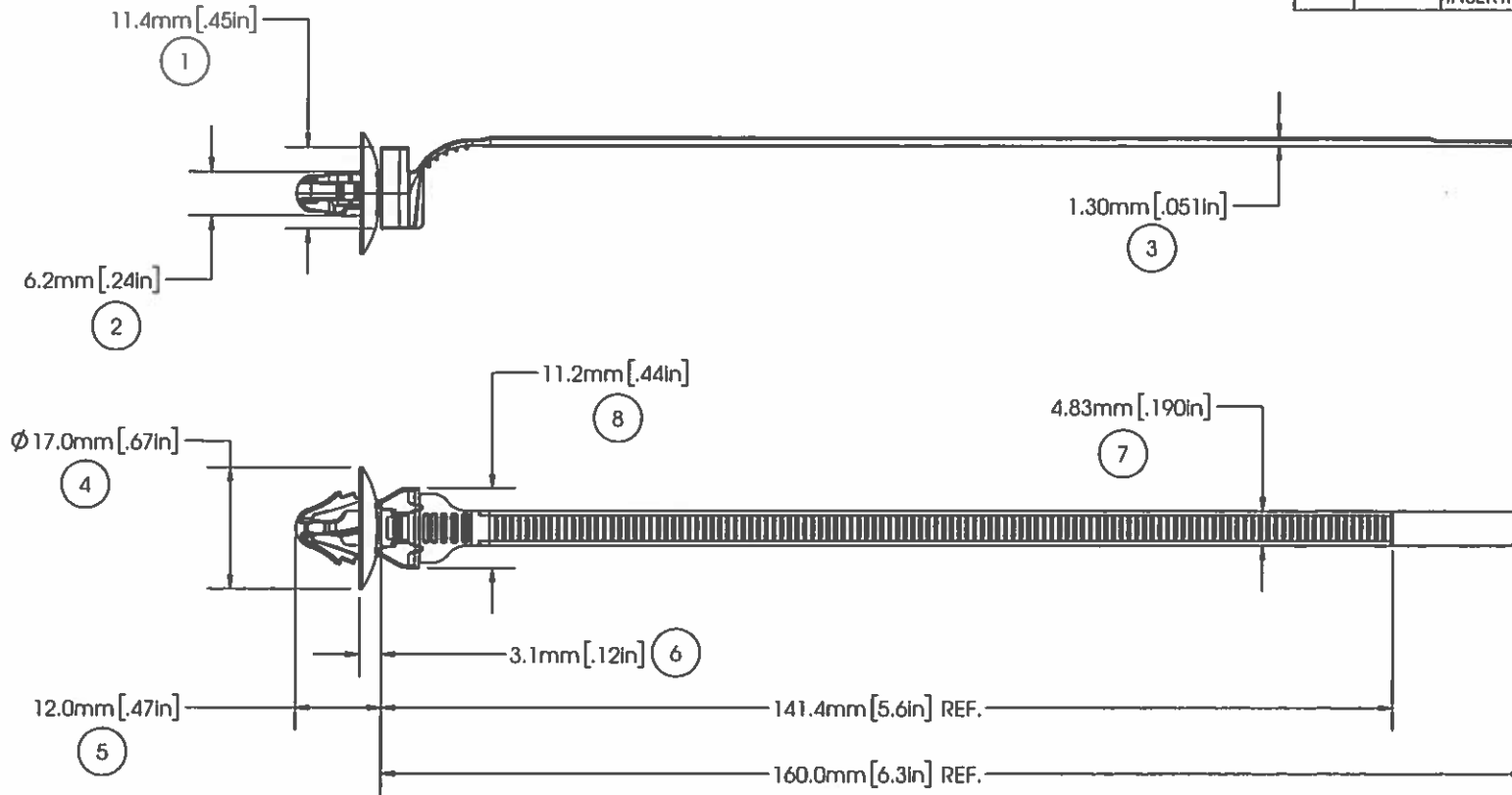


# AVERY DENNISON MARKETING SPECIFICATION

## HISTORY

THE SUBJECT MATTER DISCLOSED HEREIN EMBODIES PROPRIETARY INFORMATION WHICH IS THE CONFIDENTIAL PROPERTY OF THE AVERY DENNISON CO. NONE OF WHICH SHALL BE COPIED, REPRODUCED, DISCLOSED TO OTHERS, PUBLISHED OR USED IN WHOLE OR IN PART, FOR ANY PURPOSE OTHER THAN THAT FOR WHICH IT IS BEING MADE AVAILABLE WITHOUT THE EXPRESS ADVANCE WRITTEN PERMISSION OF A DULY AUTHORIZED AGENT OF THE COMPANY. THIS DOCUMENT IS THE PROPERTY OF THE AVERY DENNISON CO. AND IS TO BE RETURNED TO THE COMPANY ON DEMAND.

| REV. | DATE     | DESCRIPTION  |
|------|----------|--|
| A    | 04.05.16 | RELEASED   |
| B    | 07.25.17 | MODIFIED PANEL THICKNESS RANGE FROM 0.6mm TO 3.0mm TO 0.6mm TO 3.6mm; ADDED INSERTION AND EXTRACTION |



|    |                        |   |
|----|------------------------|---|
| 9  | △ FLAMMABILITY RATING: | HB RATED PER FMVSS302   |
| 10 | △ TENSILE STRENGTH:    | 222N/50lbs MIN.   |
|    | MOUNTING:              | Ø 6.35mm TO Ø 7.00mm HOLE<br>PANEL THICKNESS 0.6mm TO 3.6mm                           |
|    | INSERTION FORCE:       | 44.5N/ 10lbs MAX.   |
|    | EXTRACTION FORCE:      | 177.9N/40lbs MIN.   |
|    | WEIGHT:                | 1.5g  |
|    | TEMPERATURE RANGE:     | -40°F (-40°C) TO 302°F (150°C)<br>CONTINUOUS AND 329°F (165°C)<br>AT MAXIMUM EXPOSURE |
|    | BUNDLE DIAMETER:       | Ø 1.6mm TO Ø 38.1mm   |
|    | TOOL:                  | 12001- HAND INSTALLATION TOOL<br>12500- PNUM. INSTALLATION TOOL                       |
|    | TOOL TENSION SETTING:  | 6 - 8; 115N/25.9lbs to 162N/36.4lbs   |
|    | PACKAGING:             | 1000/BAG, 5 BAGS/MASTER   |

NOTES:  
1. SPECIAL CHARACTERISTICS ARE NOTED BY A TRIANGLE ( △ )

|            |                                       |
|------------|---------------------------------------|
| APPROVALS: | ENG. APPR. <i>[Signature]</i> 7/25/17 |
|            | Q.A. APPR. <i>[Signature]</i> 7/25/17 |

### SPECIFIED TOLERANCES ARE:

|                    |              |
|--------------------|--------------|
| .XX ± .03 INCHES   | .X ± .7 mm   |
| .XXX ± .010 INCHES | .XX ± .25 mm |
| ANGULAR: ± 2°      |              |

MATERIAL  
NYLON 6/6,  
IMPACT MODIFIED, HEAT STABILIZED

COLOR  
**BROWN**

**AVERY DENNISON**  
FASTENER DIVISION  
FRITCHBURG, MA 01420 U.S.A.  
TEL: 1-800-225-5913  
FAX: 978-353-8157

DESCRIPTION Ø 6.6mm ARROW TIE,  
HIGH HEAT

STOCK NO.  
**20131-HHBN**

REV.  
**B**